

POWERMASTER

AMERICA


**CONDENSER TUBE CLEANING GUN
POWER STRIKE PS-300**




www.powermasteramerica.com

Product Profile

CONDENSER TUBE CLEANING GUN - POWER STRIKE PS-300

 PS-300 Power Strike Condenser Tube Cleaning Gun is the preferred choice among power plant professionals for outstanding performance while minimizing wastewater. As the projectile propels forward, the unit's in-line pressurized water system hurls projectiles through deposits with ease - resulting in remarkably clean and efficient tubes. The PS-300 Power Strike Condenser Tube Cleaning Gun touch-activated trigger is squeezed, air and water propel Tube Scrubbers, Coil Tube Brushes, or other projectiles through tubes 5/8" - 1.1/4" (15.9-31.8mm) O.D., to remove deposits effortlessly.

 have found worldwide acceptance due to their rugged design, broad range and superior performance. We continue to invest in and employ the latest technology to achieve the highest level of innovation, quality, and performance which ensure maximum flexibility and responsiveness enabling quick deliveries and customer satisfaction.

Corporate Headquarters

26, Russell Park Road,
Syosset, New York 11791
Phone: +1 516.503.5294

CONDENSER TUBE CLEANING GUN

POWER STRIKE PS-300

The PS-300 Power Strike Condenser Tube Cleaning Gun is the preferred choice among power plant professionals for outstanding performance while minimizing wastewater. As the projectile propels forward, the unit's in-line pressurized water system hurls projectiles through deposits with ease - resulting in remarkably clean and efficient tubes.



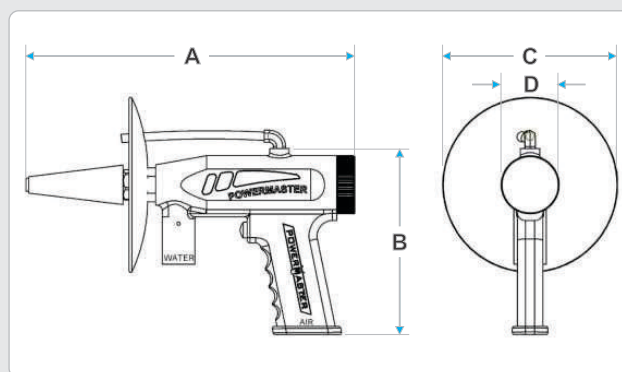
Key Features

- **Simple to operate** : Minimal training required
- **Power assisted trigger** : Reduces fatigue
- **Automatic pressure relief system** : Minimizes the risk of blow-back
- **Rugged construction** : Long life
- **Compact** : Easy handling
- **High pressure** : Maximum cleaning power
- **Less Wastewater** : Minimizes waste
- CE certified
- **Air Requirements** : Minimum 60.91 PSI (4.2 BAR), Maximum 150 PSI (10 BAR)
- **Water Pressure Requirements** : Maximum 150 PSI (10 BAR)
- **Hoses** : 10' (3m) air hose and 10' (3m) water hose included
- **Carrying Case** : 14" (360mm) high x 19" (480mm) width x 5" (127mm) deep.

CONDENSER TUBE CLEANING GUN

POWER STRIKE PS-300

The PS-300 Power Strike Condenser Tube Cleaning Gun touch-activated trigger is squeezed, air and water propel Tube Scrubbers, Coil Tube Brushes, or other projectiles through tubes 5/8" - 1.1/4" (15.9mm - 31.8mm) O.D., to remove deposits effortlessly. The operator inserts a projectile into a tube and shoots.



	(mm)
A	330
B	183
C	ø 172
D	ø 57.5

TECHNICAL SPECIFICATION

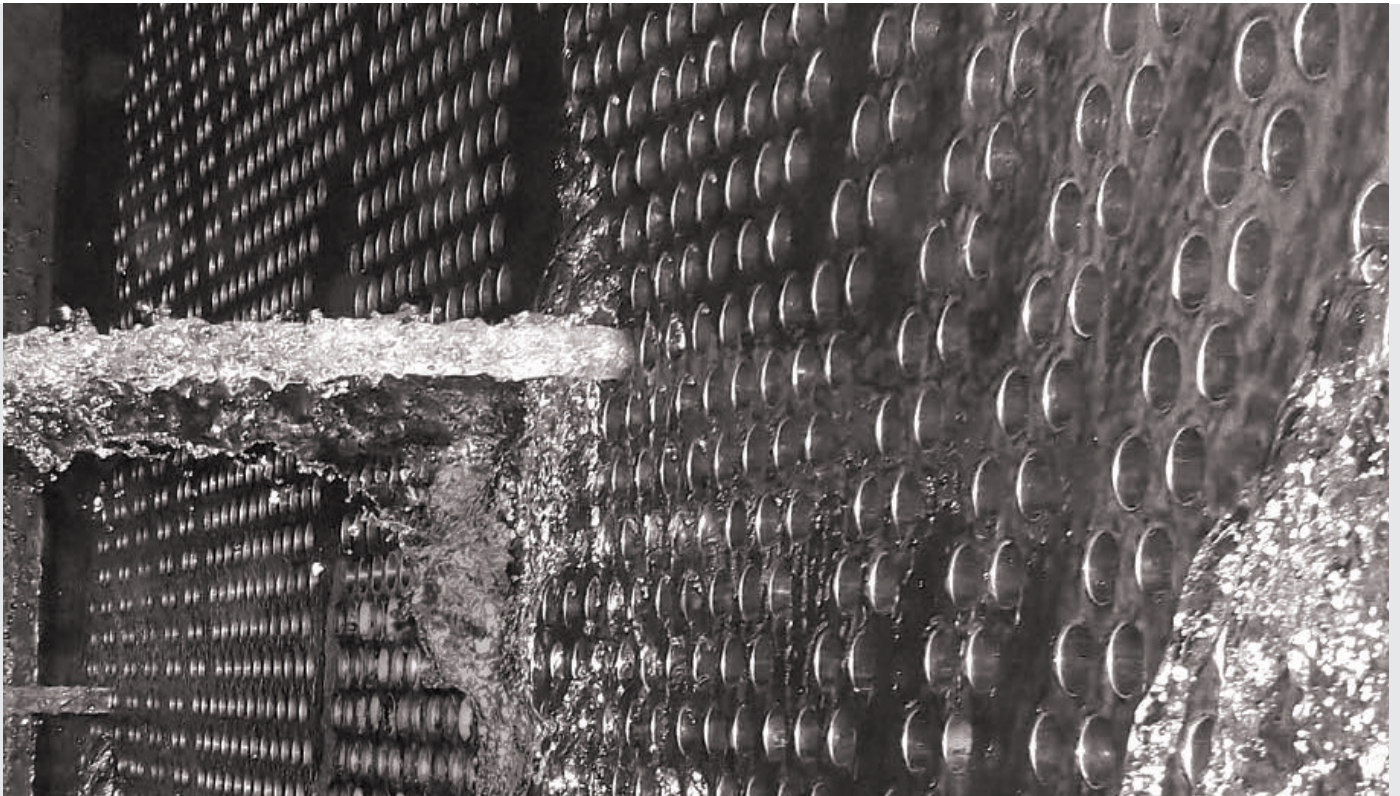
Model	PS-300	
Air Requirements	CFM	50-150 PSI at 50 CFM
Water Requirements	PSI	Maximum 150 PSI at 5 GPM
Hoses	feet (m)	10' (3m) air and 10' (3m) water
Weight	kg	1.90 kg

PS-300: Power Strike Condenser Tube Cleaning Gun including safety shield, hoses, tapered nozzle and carrying case.

CONDENSER TUBE CLEANING GUN

POWER STRIKE PS-300

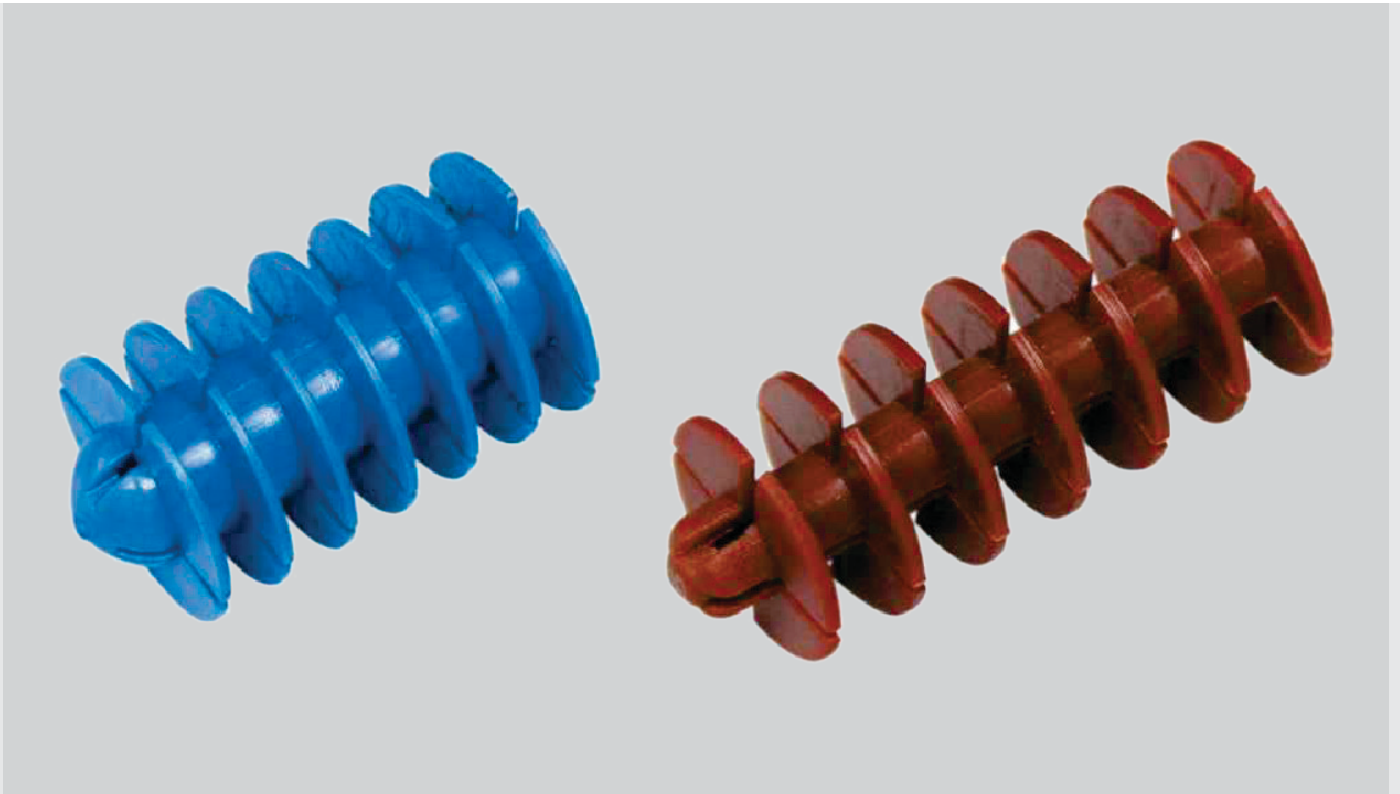
CLEAN TUBES WITH 90% LESS EFFORT? YOU BET!



COLOUR CODED SHOOT THRO SCRUBBERS

COLOUR CODED REUSABLE

In most cases hard Tube Scrubbers are recommended for removing light to medium deposits in condensers. They work by being 'Shot Thru' the tubes with a high pressure air gun.



Features

- Scrubbers are shot thru tubes with a gun using compressed air and water.
- The scraping disks will not damage inside of tubes.
- Scrubbers float for easy retrieval.
- Reusable.

COLOUR CODED SHOOT THRO SCRUBBERS

COLOUR CODED REUSABLE

TECHNICAL SPECIFICATION

mm	Tube I.D. inch	Scrubber O.D. (inch)	Model	Color	Type
14.50-15.75	0.570-0.620	0.630	SC-630-S	Brown	Soft
15.00-16.00	0.590-0.630	0.630	SC-630	Brown	Hard
15.75-17.15	0.620-0.675	0.695	SC-695-S	Orange	Soft
16.56-17.63	0.652-0.694	0.695	SC-695	Orange	Hard
16.76-18.54	0.660-0.730	0.750	SC-750-S	Violet	Soft
18.03-19.05	0.710-0.750	0.750	SC-750	Violet	Hard
18.54-20.32	0.730-0.800	0.825	SC-825-S	White	Soft
19.74-20.80	0.777-0.819	0.825	SC-825	White	Hard
19.81-21.60	0.780-0.850	0.870	SC-870-S	Lime	Soft
20.96-22.10	0.825-0.870	0.870	SC-870	Lime	Hard
22.10-24.00	0.870-0.944	0.960	SC-960-S	Blue	Soft
22.50-24.13	0.886-0.950	0.960	SC-960-M	Blue	Medium
22.91-24.28	0.902-0.956	0.960	SC-960	Blue	Hard
25.40-27.56	1.000-1.085	1.100	SC-1100-S	Black	Soft
26.09-28.09	1.027-1.106	1.100	SC-1100	Black	Hard



POWERMASTER AMERICA LLC.

26, Russell Park Road, Syosset, New York 11791

Phone: +1 516.503.5294

Website: www.powermasteramerica.com email: sales@powermasteramerica.com